



The Timken Company

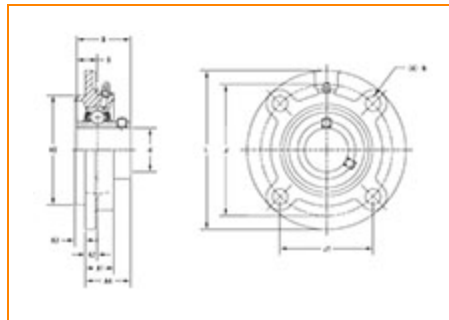
4500 Mt Pleasant St. NW

N. Canton, OH 44720

Phone: (234) 262-3000

E-Mail: CustomerCAD@timken.com • Web site: www.timken.com

Part Number UCFC205, UCFC 200 Piloted Round Flanged Housed Units - Set Screw Locking



[Specifications](#) | [Dimensions](#) | [Basic Load Ratings](#)

Specifications

Bearing Number	UC205
Shaft Size d	25 mm
Weight	2.2 lb 1.0 Kg
UPC Code	087796076020
Locking Style	Set Screw Locking
Housing Construction	Round Flange

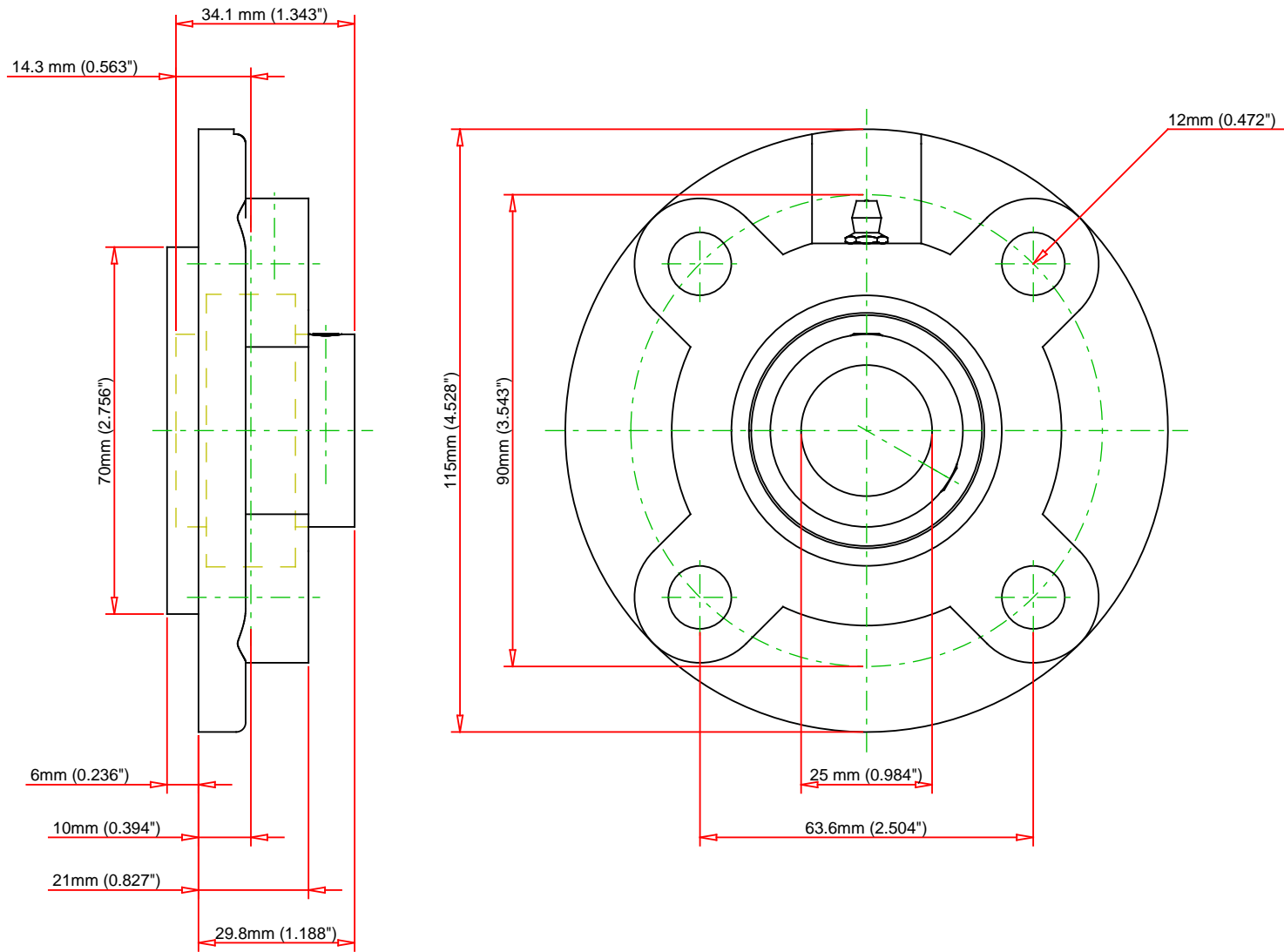
Dimensions

Total Height L	115.00 mm 4.528 in
-----------------------	-----------------------

Pilot Outside Diameter H3	70.00 mm 2.756 in
Bolt Circle Diameter J	90.00 mm 3.543 in
Bolt Hole Spacing J1	63.60 mm 2.504 in
Bolt Hole Size N	12 mm 0.472 in
Flange Width A1	21.00 mm 0.827 in
Center of Bearing from Housing End A2	10.00 mm 0.394 in
Pilot Width A3	6.00 mm 0.236 in
Inner Ring Width B	34.10 mm 1.343 in
Center of Bearing from Bearing End S	14.3 mm 0.563 in
Dimension A₄	29.80 mm 1.188 in

Basic Load Ratings

Static Load Rating	1765 lbf 7850 N
Dynamic Load Rating	3147 lbf 14000 N



Bearing Number	UC205			
Load Ratings - C _r	3147	lbf	14000	N
Load Ratings - C _{0r}	1765	lbf	7850	N
Weight	2.2	lb	1	kg
Bolt Size	M10			

TIMKEN

THE TIMKEN COMPANY
NORTH CANTON, OHIO USA

UCFC205

UCFC 200 Piloted Round Flanged Housed
Units - Set Screw Locking

Every reasonable effort has been made to ensure the accuracy of the information contained in this writing, but no liability is accepted for errors, omissions or for any other reason.

FOR DISCUSSION ONLY