



## RCJY50-XL-N

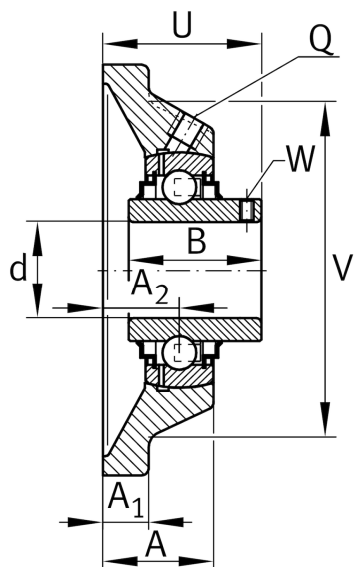
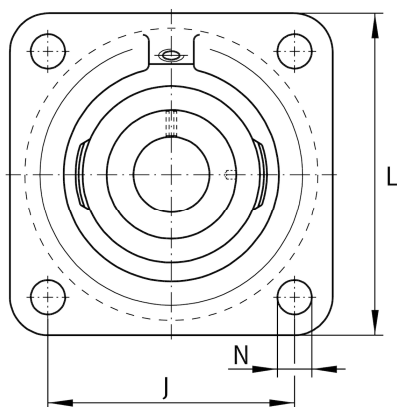
Flanged housing unit

Schaeffler ID:  
0009361700000

Housing units RCJY, four-bolt flanged housing units, cast iron, grub screws in inner ring, R seals

X-life

### Technical information



### Main Dimensions & Performance Data

d	50 mm	Bore diameter
L	143 mm	Flange width
U	60.6 mm	Total height unit
$C_r$	37,500 N	Basic dynamic load rating, radial
$C_{0r}$	23,200 N	Basic static load rating, radial
$C_{ur}$	1,210 N	Fatigue load limit, radial
	2.44 kg	Weight

### Dimensions

A	41 mm	Height housing
$A_1$	13 mm	Thickness of flange
$A_2$	28 mm	Distance raceway
B	51.6 mm	Width
V	119 mm	Shoulder diameter housing
Q	M6	Connection thread lubrication

### Mounting dimensions

J	111 mm	Distance fixing bore
N	18 mm	Fixing bore
n	4	Number of screwing holes

### Additional information

1	Number of housings
CJ10	Housing
GYE50-XL-KRR-B	Bearing designation
KASK10	Protecting cap